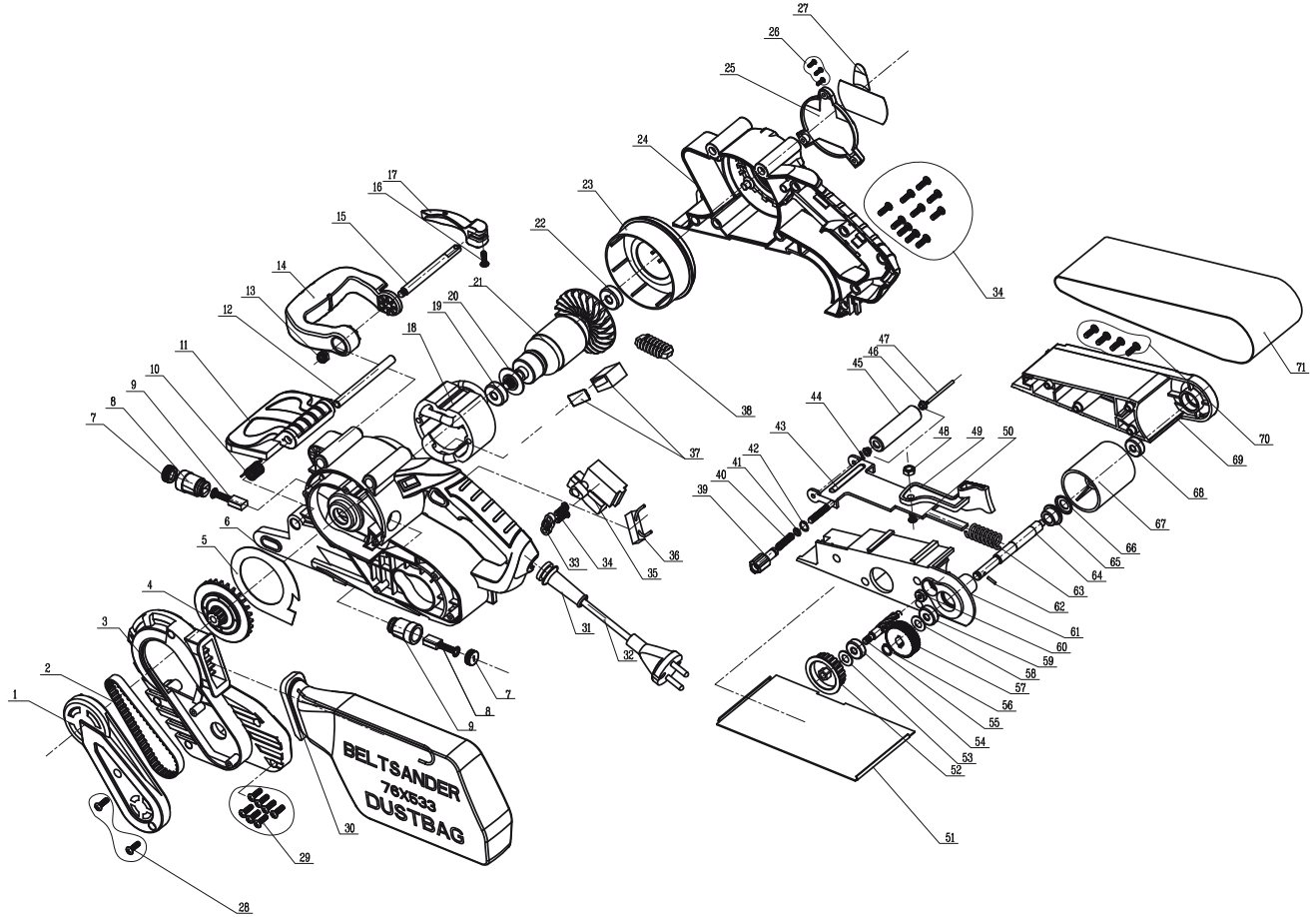


RAIDER®

EXPLODED VIEW RDP-BS07



PARTS LIST RDP-BS07

No.	Description	PCS	No.	Description	PCS
1	Belt cover	1	37	Speed control switch	1
2	synchronous belt	1	38	Inductance	1
3	middle cover	1	39	Adjust knob	1
4	Small pulley	1	40	Small spring	1
5	Wind circle	1	41	Washer ϕ 13X ϕ 6X1	1
6	left housing	1	42	check ring	1
7	Brush cover grip	2	43	Front-wheel frame	1
8	brush holder	2	44	Fixed sales	1
9	brush	2	45	front wheel	1
10	Torsion spring	1	46	needle bearing	2
11	Activities of the shaft plate	1	47	Frame axis	1
12	Axis of rotation	1	48	Φ 6 washer	1
13	Nut	1	49	Front-wheel frame wrench	1
14	front handle	1	50	Φ 6 rivet	1
15	M6 screw	1	51	Iron Bottom	1
16	screw ST4.2X16	1	52	Large Pulley	1
17	Former handle wrench	1	53	Washer Φ 8	1
18	stator	1	54	bearing	1
19	ball bearing 608RS	1	55	Small gear shaft	1
20	insulation spacer	1	56	Plain washer	1
21	rotor	1	57	Big gear	1
22	ball bearing 608RS	1	58	washer Φ 8	1
23	Introduction sets of wind	1	59	bearing 608RS	1
24	right housing	1	60	washer	1
25	Nameplate decorative cover	1	61	Aluminum base	1
26	screw ST2.9x12	3	62	Cylindrical pin ϕ 3*11	1
27	nameplate	1	63	Spring	1
28	screw ST4.2x16	2	64	Rear axis	1
29	screw ST4.2x16	7	65	Copper sets	1
30	Dust adapter	1	66	Bowl-type gasket	1
31	Cable cover	1	67	Rear	1
32	cable	1	68	ball bearing	1
33	cable Press	1	69	Plastic Stent	1
34	screw ST4.2x16	12	70	Screw ST4.2X40	4
35	switch	1	71	sanding belt	1
36	Capacitor0.22uf	1			